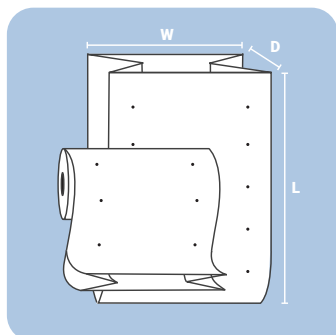


SPECIALTY BAGS

MATTRESS BAGS ON ROLLS



Our Mattress Bags are an ideal protective covering during transportation and in storage, serving as a barrier from moisture, dust and other damaging debris. Expanded for deeper pillow top mattresses up to 18" and vented for quick loading.

TECHNICAL DETAILS

Made from a performance blend of Low and Linear Low-Density Polyethylene with Non-Slip. These have butterfly vents on both sides 3" from the side, 10" up from the bottom, and 10" between each hole. All bags feature a side weld construction and are available perforated on rolls with a 3" core plugs and 1" diameter holes.



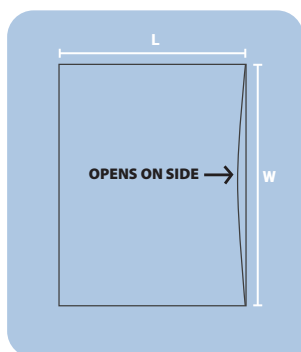
MATTRESS BAGS

ITEM	W x D x L	SIZE	CNT	WT
1.5 MIL STANDARD				
3220*	39 X 8 X 90	Twin	100	41
3222*	54 X 8 X 90	Full	100	54
3 MIL STANDARD				
3242*	39 X 9 X 90	Twin	75	61
3244*	54 X 9 X 90	Full	60	64
3246*	60 X 9 X 90	Queen	55	65
3247*	60 X 12 X 90	X-Queen	55	68
3248*	78 X 9 X 90	King	45	68
3249*	78 X 12 X 90	X-King	45	71
3 MIL PILLOW TOP				
3110*	40 X 15 X 95	Twin	55	54
3115*	56 X 15 X 95	Full	45	58
3118*	62 X 15 X 95	Queen	40	56
3120*	62 X 18 X 95	X-Queen	40	58
3125*	82 X 15 X 100	King	35	66
3127*	82 X 18 X 100	X-King	35	68
4 MIL STANDARD				
3250*	39 X 9 X 90	Twin	50	55
3253*	54 X 9 X 90	Full	45	65
3255*	60 X 9 X 90	Queen	40	64
3262*	60 X 12 X 90	X-Queen	40	66
3260*	78 X 9 X 90	King	30	62
3264*	78 X 12 X 90	X-King	30	64
4 MIL PILLOW TOP				
3130*	40 X 15 X 95	Twin	50	65
3132*	56 X 15 X 95	Full	40	69
3135*	62 X 15 X 95	Queen	35	65
3137*	62 X 18 X 95	X-Queen	35	68
3138*	82 X 15 X 100	King	25	64
3140*	82 X 18 X 100	X-King	25	66

Toddler crib mattress bags can be custom ordered.

**BUILD ANY SIZE: Mil: 1-6 Width: 47"-120"
Length: 50"-120"
MORE OPTIONS: Materials, Film Color,
Printing, Venting, Packaging Details**

FURNITURE COVERS ON ROLLS



Our Furniture Covers are durably designed to fit the most common sized sofas and arm chairs and provide protections from dirt, stains and dust.

- ▶ Ideal for movers, retailers and manufacturers
- ▶ Clear covers are perforated on rolls for fast and easy dispensing
- ▶ Open along the width as shown

TECHNICAL DETAILS

Made from a performance blend of Low-Density Polyethylene. These feature a side weld construction. All bags are available on rolls with a 3" core plug and 1" diameter hole.



**BUILD ANY SIZE: Mil: 1-6 Width: 25"-1200"
Length: 24"-98"
MORE OPTIONS: Materials, Film Color,
Printing, Venting, Packaging Details**

FURNITURE COVERS

ITEM	W x L	SIZE	CNT	WT
1 MIL				
3160*	50 X 45	26" Chair	300	49
3165*	54 X 45	29" Chair	275	49
3170*	70 X 45	36" Chair	215	50
3175*	76 X 45	42" Chair	200	50
3180*	84 X 45	50" Chair	175	48
3185*	90 X 45	56" Chair	165	49
3190*	92 X 45	60" Chair	160	49
3195*	106 X 45	70" Loveseat	140	49
3200*	124 X 45	90" Sofa	125	51
3205*	134 X 45	100" Sofa	110	49
3210*	140 X 45	106" Sofa	100	46
3215*	152 X 45	116" Sofa	100	50
3 MIL				
3212	54 X 45	29" Chair	100	44
3214	90 X 45	56" Chair	55	41
3216	106 X 45	70" Loveseat	50	44
3217	124 X 45	90" Sofa	40	41
3218	140 X 45	106" Sofa	35	40
3219	152 X 45	116" Sofa	35	44

* ENGINEERED AND MANUFACTURED IN THE U.S.A.

CONTACT US FOR MORE INFORMATION



Veteran Packaging Company
900 Rutter Avenue
Forty Fort, Pennsylvania 18704

www.vetpackagingco.com
bsmith@vetpackagingco.com
410-830-9496